



IEC QUALITY ASSESSMENT SYSTEM (IECQ)

covering Electronic Components,
Assemblies, Related Materials and Processes

For rules and details of the IECQ visit www.iecq.org

Schedule of Scope to Certificate of Conformity Approved Component – Qualification Approval

IECQ Certificate No.: IECQ-C BSI 15.0009

CB Certificate No.: E1274/F

Schedule Number: IECQ-C BSI 15.0009-S

Rev No.: 8

Revision Date: 2019/03/01

Page 1 of 3

Manufacturer's Approval Number: M1069 IECQ

Factory Code: LIL

Place(s) of Manufacture: Nanfang East Road, Humen Town, Dongguan, China

Test Report(s):	Date	Date of acceptance by Certification Body (CB)
TR002	June 2005	20 September 2005
TR009 (incl. Revision 1)	April 2007	23 April 2007
TR011	May 2007	22 June 2007
TR012	July 2009	16 October 2009
TR015	August 2010	1 October 2010

This schedule is only valid in conjunction with the referenced Certificate of Approval

This approval and any schedule(s) may only be reproduced in full.

This approval is not transferable and remains the property of the issuing body.

The Status and authenticity of this approval and any schedule(s) may be verified by visiting the
Official IECQ Website. www.iecq.org

BSI, Kitemark Court Davy Avenue Knowlhill Milton Keynes MK5 8PP UK





Schedule of Scope to Certificate of Conformity Approved Component – Qualification Approval

IECQ Certificate No.: IECQ-C BSI 15.0009

CB Certificate No.: E1274/F

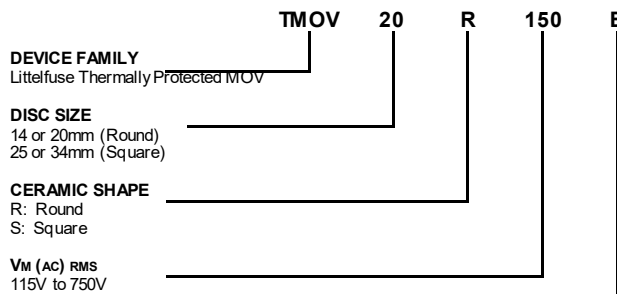
Schedule Number: IECQ-C BSI 15.0009-S

Rev No.: 8

Revision Date: 2019/03/01

Page 2 of 3

Non Lead (Pb) Free devices:

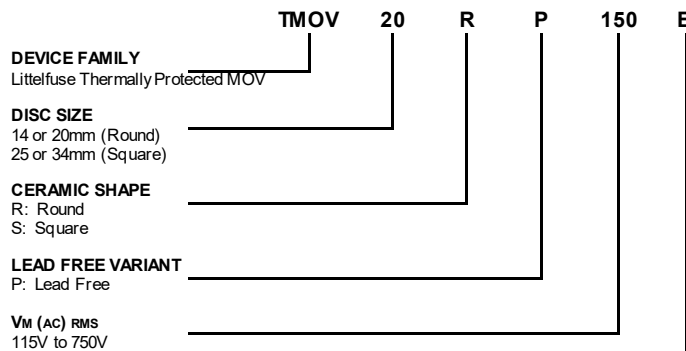


Note:
 The thermal cut-off has a nominal opening temperature of 182°C.

The above Product Key may be followed by additional suffixes to cover available customer options.

Series Designator
 E: 2-Leaded TMOV Varistor Series Supplied in Bulk Pack with 7.5mm lead spacing.
 M: 3-Leaded iTMOV Varistor Series Supplied in Bulk Pack with 7.5mm lead spacing (between leads 1 & 2) (Available in 20mm Round and 34mm Square only)

Lead (Pb) Free devices:



Note:
 The thermal cut-off has a nominal opening temperature of 215°C.

The above Product Key may be followed by additional suffixes to cover available customer options.

Series Designator
 E: 2-Leaded TMOV Varistor Series Supplied in Bulk Pack with 7.5mm lead spacing.
 M: 3-Leaded iTMOV Varistor Series Supplied in Bulk Pack with 7.5mm lead spacing (between leads 1 & 2) (Available in 20mm Round and 34mm Square only)

This schedule is only valid in conjunction with the referenced Certificate of Approval

This approval and any schedule(s) may only be reproduced in full.

This approval is not transferable and remains the property of the issuing body.

The Status and authenticity of this approval and any schedule(s) may be verified by visiting t

Official IECQ Website. www.iecq.org





IEC QUALITY ASSESSMENT SYSTEM (IECQ)

covering Electronic Components,
Assemblies, Related Materials and Processes

For rules and details of the IECQ visit www.iecq.org

Schedule of Scope to Certificate of Conformity Approved Component – Qualification Approval

IECQ Certificate No.: IECQ-C BSI 15.0009

CB Certificate No.: E1274/F

Schedule Number: IECQ-C BSI 15.0009-S

Rev No.: 8

Revision Date: 2019/03/01

Page 3 of 3

Certified Parts:

Parts as detailed in QC 42201-C001 and as demonstrated by testing in accordance with QC 42201-A001 and therefore limited in the matrix following.

Device Rating (Vac)	Applied Overvoltage (Vac)	Limited Current (A)
115	240	0.125, 0.5, 2.5, 5.0
130	240	0.125, 0.5, 2.5, 5.0
140	240	0.125, 0.5, 2.5, 5.0
150	240	0.125, 0.5, 2.5, 5.0
175	240	0.125, 0.5, 2.5, 5.0
180	240	0.125, 0.5, 2.5, 5.0
200	415	0.125, 0.5, 2.5, 5.0
230	415	0.125, 0.5, 2.5, 5.0
250	415	0.125, 0.5, 2.5, 5.0
275	415	0.125, 0.5, 2.5, 5.0
300	480	0.125, 0.5, 2.5, 5.0
320	480	0.125, 0.5, 2.5, 5.0
330	480	0.125, 0.5, 2.5, 5.0
350	480	0.125, 0.5, 2.5, 5.0
385	600	0.125, 0.5, 2.5, 5.0
420	600	0.125, 0.5, 2.5, 5.0
440	600	0.125, 0.5, 2.5, 5.0
460	600	0.125, 0.5, 2.5, 5.0
510	1000	0.125, 0.5, 2.5, 5.0
550	1000	0.125, 0.5, 2.5, 5.0
575	1000	0.125, 0.5, 2.5, 5.0
620	1000	0.125, 0.5, 2.5, 5.0
625	1000	0.125, 0.5, 2.5, 5.0
660	1000	0.125, 0.5, 2.5, 5.0
680	1000	0.125, 0.5, 2.5, 5.0
750	1000	0.125, 0.5, 2.5, 5.0

This schedule is only valid in conjunction with the referenced Certificate of Approval

This approval and any schedule(s) may only be reproduced in full.

This approval is not transferable and remains the property of the issuing body.

The Status and authenticity of this approval and any schedule(s) may be verified by visiting t

Official IECQ Website. www.iecq.org

BSI, Kitemark Court Davy Avenue Knowlhill Milton Keynes MK5 8PP UK